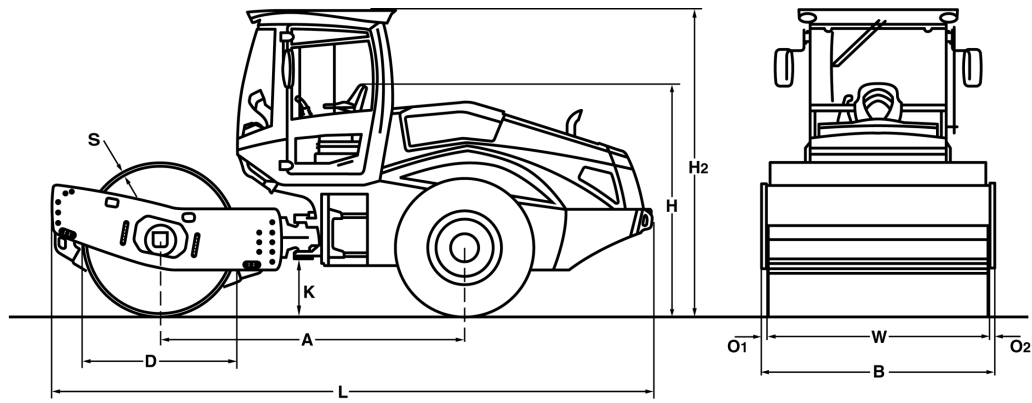


TECHNICAL DATA

SINGLE DRUM ROLLERS

BW 211 DH-5, BW 211 PDH-5





Dimensions in mm

	A	B	D	H	H2	K	L	O1	O2	S	W
BW 211 DH-5	2975	2270	1500	2260	2990	490	5870	70	70	25	2130
BW 211 PDH-5	2975	2270	1480	2260	2990	490	5870	70	70	25	2130

Shipping dimensions in m3

BW 211 DH-5
BW 211 PDH-5

without ROPS

30,114
 30,114

with ROPS

39,841
 39,841

Machine type	Compaction output (m3/h)			
	Rock fill	Gravel, sand	Mixed soil	Silt, clay
BW 211 DH-5	450-950	330-620	260-490	130-260
BW 211 PDH-5	450-910	330-620	260-490	160-320

Machine type	Compacted layer thickness (m)			
	Rock fill	Gravel, sand	Mixed soil	Silt, clay
BW 211 DH-5	0,70	0,50	0,40	0,20
BW 211 PDH-5	0,70	0,50	0,40	0,30

Technical Data**BOMAG
BW 211 DH-5****BOMAG
BW 211 PDH-5****Weights**

Grossweight	kg	13.870	13.900
Operating weight CECE w. ROPS-cabin	kg	10.890	12.560
Axle load, drum CECE	kg	5.880	7.420
Axle load, wheels CECE	kg	5.010	5.140
Static linear load CECE	kg/cm	27,6	

Dimensions

Working width	mm	2.130	2.130
Track radius, inner	mm	3.680	3.680

Driving Characteristics

Speed	km/h	0- 12,0	0- 12,0
Max. gradeability without/with vibr.	%	60/58	62/60

Drive

Engine manufacturer		Deutz	Deutz
Type		TCD 3.6 L4	TCD 3.6 L4
Emission stage		Stage V	Stage V
Exhaust gas aftertreatment		DOC+DPF+SCR	DOC+DPF+SCR
Cooling		Liquid	Liquid
Number of cylinders		4	4
Performance ISO 3046	kW	95,0	95,0
Performance SAE J 1995	hp	128,0	128,0
Speed	min-1	2.000	2.000
Fuel		Diesel	Diesel
Electric equipment	V	12	12
Drive system		hydrost.	hydrost.
Drum driven		standard	standard

Drums and Tyres

Number of pad feet			150
Area of one pad foot	cm2		137
Height of pad feet	mm		100
Tyre size		23.1-26 12PR	23.1-26 12PR

Brakes

Service brake		hydrost.	hydrost.
Parking brake		hydromec.	hydromec.

Steering

Steering system		oscil.artic.	oscil.artic.
Steering method		hydrost.	hydrost.
Steering / oscillating angle +/-	grad	35/12	35/12

Exciter system

Drive system		hydrost.	hydrost.
Frequency	Hz	30/34	30/34
Amplitude	mm	1,90/1,00	1,70/0,90
Centrifugal force	kN	240/162	285/194
Centrifugal force	t	24,5/16,5	29,1/19,8

Capacities

Fuel	l	250,0	250,0
------------	---	-------	-------

Technical modifications reserved. Machines may be shown with options.

Standard Equipment

- BOMAG ECOMODE
- Double pump system for travel drive
- Self locking differential
- Rear axle with twin spring accumulator brakes
- Hydrostatic travel and vibration drive
- Hydrostatic articulated steering
- Articulated joint lock
- Seat with arm rest and adj. for position and height
- Battery disconnect switch
- Single lever control for travel and vibration
- Warning, information and operation displays with LCD
- Loading mode
- Emergency STOP
- Working lights front / rear
- Back-up alarm
- 2 Scrapers
- Warning horn
- Tractor tires (PDH)

Optional Equipment

- * ROPS/FOPS cabin with seat belts
 - Sliding window
- ROPS/FOPS with safety belt
- Rearview camera
- Air condition
- Radio (Bluetooth)
- Pre start cabin heating
- Comfort package: Adjustable seat and adjustable steering column
- Rotary beacon
- Indicator and hazard lights
- BOMAG ECOSTOP
- ECONOMIZER
- TERRAMETER
- BOMAG TELEMATIC POWER
- Special painting
- Padfoot segment kit (DH)
- Environmentally compliant hydraulic oil
- Measuring- and machine data interface for third-party suppliers
- Blade
- LED Working lights (Cabin)
- Reversing alarm buzzer with broad band audio

* Standard delivery with CE conformity
(valid within European Union)#72

